

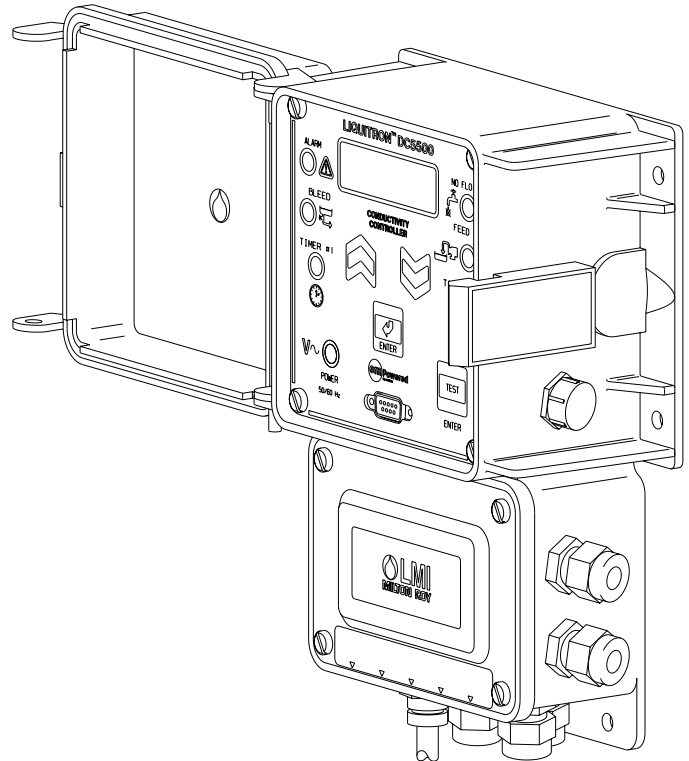
## Liquitron™ DC5500 Series Conductivity Controller

### Cooling Tower Controller Bleed & Feed with Dual Biocide Additions

The **Liquitron DC5500 Series Conductivity Controller** is a microprocessor based control system that will operate in a variety of water treatment applications. The DC5500 provides a set point and relay for conductivity control, and a variety of timer functions to control chemical addition, including dual biocides.

Store up to 31 days of data and download via RS-232 or via modem connection with optional LMI LiquiComm™ Communications Package. This data can be viewed in a graph or report format. Wireless paging/emails of alarm conditions are also available.

Programming this controller is simple and is accomplished using only three keys. The backlit LCD display and LEDs provide a visual indication of operating conditions and equipment status.



#### Features

- 0-20,000  $\mu\text{S}$  Control Range
- Display units in  $\mu\text{S}$  or in PPM/TDS
- Temperature Display in  $^{\circ}\text{C}$  or  $^{\circ}\text{F}$
- High and Low Alarm with Output Relay
- Four Inhibitor Feed Modes (on/off or pulse)
- Dual Biocide Pump Output (on/off or pulse)
- Time or Conductivity Based Prebleed
- Data Logging/Remote Communications (optional)
- Wireless Paging (optional)
- Two Water Meter Inputs
- Flow Switch Compatible (N.O. or N.C.)
- 4-20 mA Non-Isolated Output Signal
- Three Tank Level Inputs with Alarms
- RS-232 Connection Port
- Programmable RS485 Address
- 32 Character 2-Line Backlit LCD
- UL, CUL, CE Certified



8 Post Office Square  
Acton, MA 01720 USA  
TEL: (978) 263-9800  
FAX: (978) 264-9172  
<http://www.lmipumps.com>



---

---

# Liquitron DC5500 Series Specifications

## Enclosure

### NEMA 12X Type (prewired version)

Hardwiring makes the unit suitable for NEMA 4X applications

### Material

Housing - Flame retardant, molded TPE  
Cover - Clear molded polycarbonate, lockable

### Environment

32° F to 122° F (0° C to 50° C)  
0% to 95% (non-condensing) relative humidity

### Hardware

115 VAC ON/OFF units provided with a 6 ft (2 m) power cord and plug, plus three 1 ft (30 cm) output power cords for pumps

230 VAC ON/OFF units provided with a 6 ft (2 m) power cord and plug and throughput connectors for hardwire connections of controlled devices

115 and 230 VAC Proportional units provided with three 10 ft (3m) output cables for direct connection to LMI Type "7" or "9" pumps

## Electrical

### Input

115 VAC 50/60 Hz or 230 VAC 50/60 Hz

### Signal Output

4 - 20 mA spannable non-isolated output for conductivity  
0 - 180 SPM pulse outputs for Feed, Bio. 1 & Bio. 2

### Signal Input

Four (4) PG-9 throughput connectors are provided for connection of flow meter, flow switch, communications and other instrumentation

A four (4)-pin microphone jack is provided for the conductivity probe connection

Three (3) tank level inputs are provided (select 4-20 mA, 0-5V, or switch closure)

Two (2) water meter inputs are provided for make-up water and blowdown water

### Bleed/Control Output

Four (4) relays, 15amps@115VAC, 10A @ 230 VAC  
Unit fused for 10 amp total load

### Communications

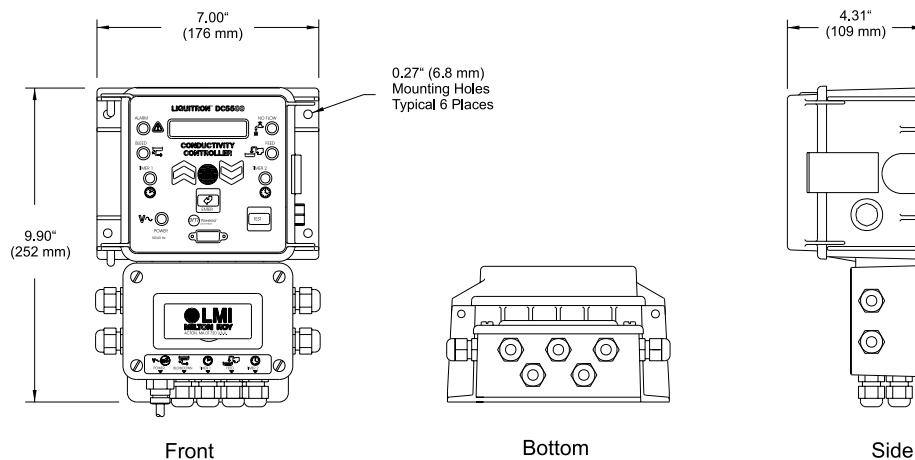
RS485 I/O

RS232 I/O

---

---

## Dimensions



---

---

## Operational

### Display

32 Character 2-Line Backlit LCD

### LED Indicators

Power, Bleed, Alarm, Flow, Feed, Timer 1, Timer 2

### Biocide Timers (Timers 1 & 2)

1-28 Day Cycle Timers

### Bleed Set Point:

Rising or Falling (Selectable)

### Feed Timer (Selectable)

Pulse (External Trigger): 1 - 999 second run time  
1 - 100 count

% of Time (Reset): 1 - 100 minute cycle  
1% - 100% run

Limit (Feed and Bleed): 1 - 999 minute limit

% of Bleed (Feed after Bleed): 1% - 100% of bleed time  
1-999 minute limit